

BATHROOM & SWIMMINGPOOL CENTRE

Where quality comes first

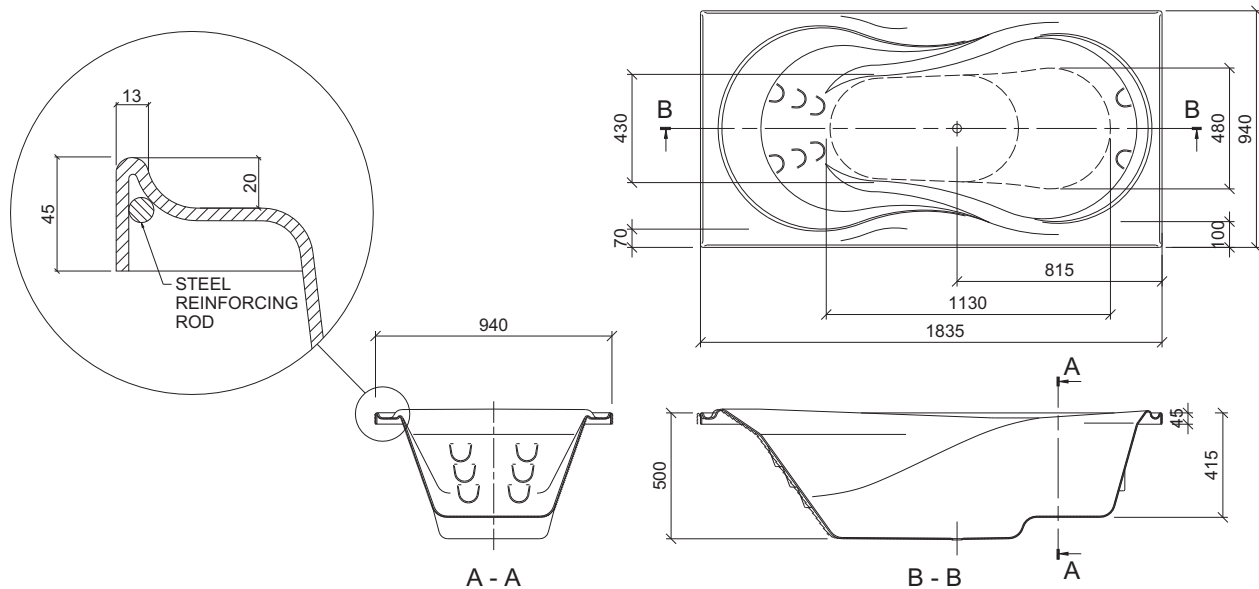


AUGUSTINE LONG BATH

KT : 1835 x 940 x 470 mm



AUGUSTINE



VANTAM Co., LTD

291A-B Hoang Van Thu Str, Ward 2, Tan Binh District, HCMC

Tel: (84-8) 39974385 - 86

Fax: (84-8) 38446260

Website: www.vantamco.com

Email: info@vantamco.com